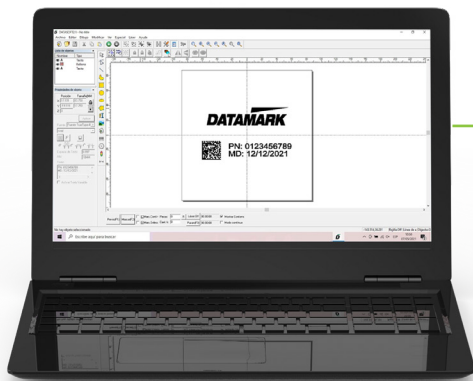
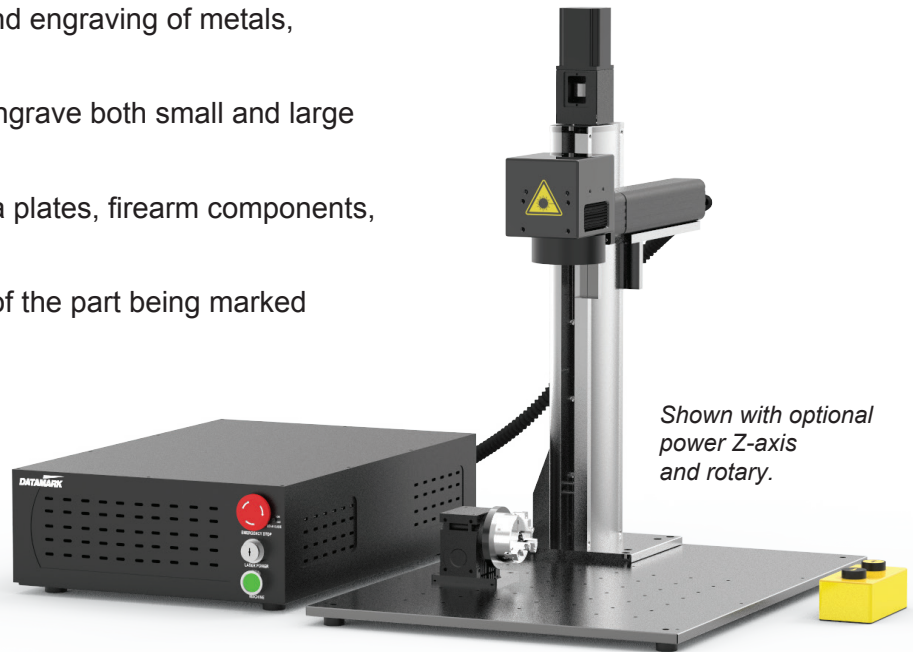


4ix ENTRY-LEVEL MARKING LASER

DATAMARK

Our most affordable MOPA fiber laser marking and engraving machine.

- Entry-level solution for precision marking and engraving of metals, alloys, and many plastics
- Open Class 4 configuration allows you to engrave both small and large parts without the limitations of a cabinet*
- Great for machined parts, identification data plates, firearm components, and much more
- Offers total 360° access and easy viewing of the part being marked
- 20-watt MOPA fiber laser source
- 4.3" x 4.3" marking window
- Onsite training available
- Upgrade to ECO+ or XL+ Series systems with more powerful laser sources for faster process times, deeper engraving, and advanced hardware features



DATASOFT™ LASER MARKING SOFTWARE

The 4ix includes feature-rich software to easily mark text, logos, graphics, serial numbers, date codes, Data Matrix and QR codes, UID and UDI syntax, linear barcodes, and much more. Requires a PC running Windows 10 or higher (not included).



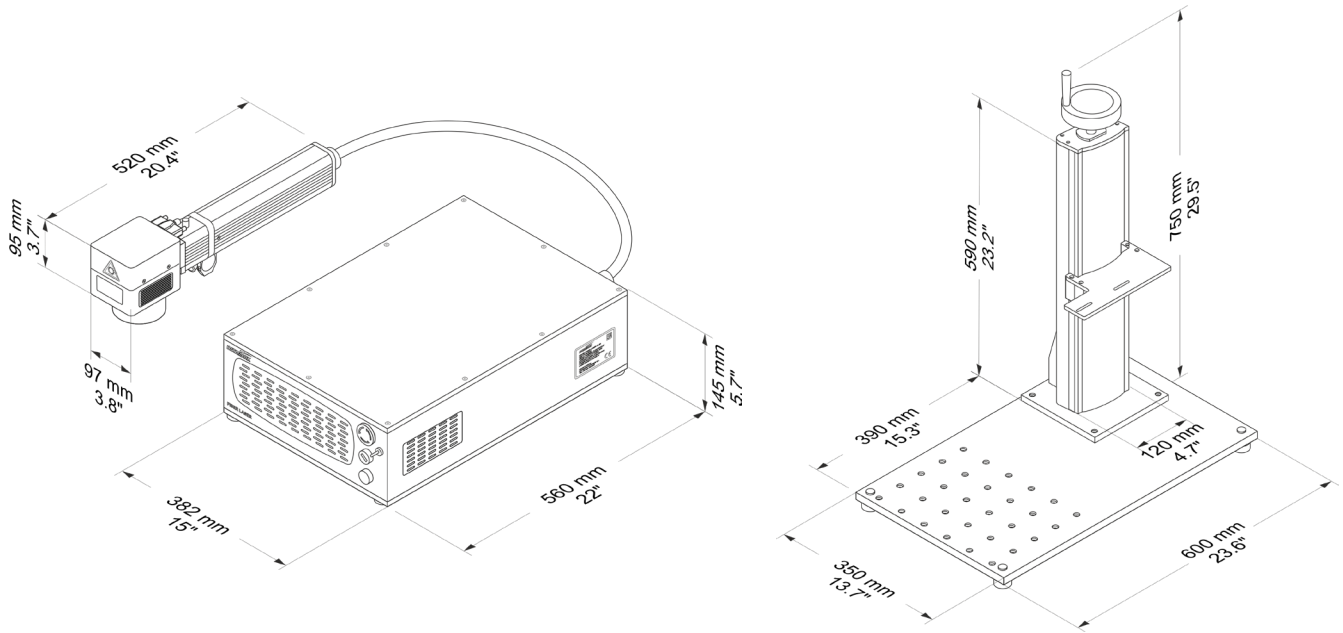
*** WARNING:**

This product is classified as a **Class 4** laser system and emits **Class 4** laser radiation. It is the end-user's responsibility to ensure all appropriate safety protocols are followed. Please reference the ANSI Z136 series of standards for further guidance before purchasing, installation, and operation.

OPTIONS

- Power Z-axis
- Rotary for marking round parts
- Industrial fume extractors (integrated port standard)
- Marking fixtures

4ix ENTRY-LEVEL MARKING LASER



SPECIFICATIONS:

Material Types:	Steel, Aluminum, Alloys, Plastic, Polymers, Leather, Rubber, and more
Mark Types (Setting Dependent):	Etching, Engraving, Annealing
Laser Power:	20W
Laser Source:	Ytterbium Fiber
Operation State:	MOPA
Pulse Duration:	200 ns
Wavelength:	1064 nm
Frequency Range:	1-600 kHz
Cooling:	Air
Rating:	Class 4
Safety:	E-stop
Focus Alignment:	Class II Red Diode (635 nm)
Marking Window:	4.3" x 4.3"
Power Requirement:	110V / 115V
Operating Temperature:	32° to 104° F
Control:	Software (Windows PC)
Warranty:	12 Months

Standard package includes: 4ix benchtop laser controller and marking head, baseplate, Z column, lens, laser safety glasses, manual, and DataSoft Windows software package (PC not included)